

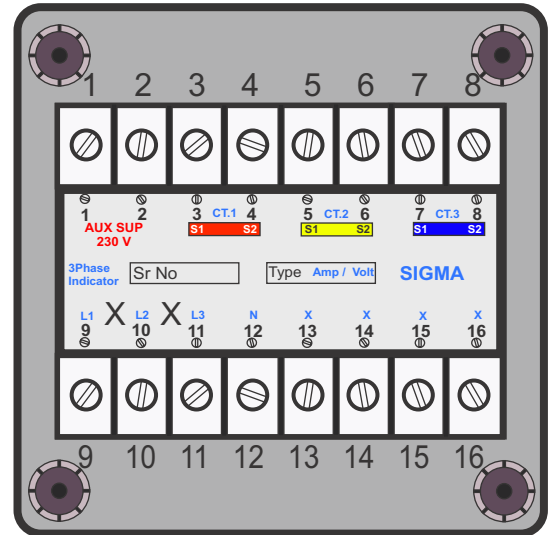


AC AMPERE METER 3 PHASE

SDP 292



Front View



Rear View

Features

- ✓ Latest Micro Controller based Technology
- ✓ Size: 96 × 96 mm
- ✓ 24 bit ADC for data acquisition.
- ✓ 4 bright red 0.56" digit display
- ✓ CT value range from 1 – 9999 A
- ✓ Input CT common for all phases
- ✓ Max count of 9999
- ✓ Panel Mounted Meter
- ✓ Leading zero blackened to save power
- ✓ Universal type suitable for both 5A and 1A output CTs
- ✓ 3 LEDs indicating data display for phases R, Y and B.

Connection Design

Aux Supply	Terminal 1, 2	
Suggested Input	Aux supply 170 TO 270 Vac. Supply more than 300 V can damage the device	
CT measured on	R	Terminal 3, 4 (S1, S2)
	Y	Terminal 5, 6 (S1, S2)
	B	Terminal 7, 8 (S1, S2)
There is no effect on displayed value when CT connection on S1, S2 is interchanged.		

Field Programming

This is a three phase CT operated meter suitable for all 5 Amp as well as 1 Amp output current transformers. It can also be used for single and three phase environment. Current CT ratio's secondary rating (1 or 5) can be checked by clicking set button once. LED (R, Y or B) indicate the phase of currently displayed output. Output is given in two decimal points if input CT is less than 100, one decimal point if less than 1000. Else no decimal point is displayed. The device can display output from different phases in following two modes:

- **SCROLL**: Displays current for each phase in R-Y-B sequence with specific LED on.
- **HOLD**: Displays output for a particular phase (indicated by LED) continuously. click set button once to set next phase output on display

To select a display mode, press set button for a while. The name of current mode (SCROLL or HOLD) will appear for few seconds followed by name of other mode. Release the button on name of mode which is to be set.

Steps to Program Input

The device can be programmed to be used with installed CT as under.

- 1 Press set button until previously set CT value appears on display with rightmost digit blinking (approx 10 seconds).
- 2 Enter desired CT value. Any CT primary rating from 1 - 9999 can be entered except 0001 and 0005 which when entered are automatically saved as secondary rating. Use steps given below to enter value.
 - Use set button to assign desired value (between 0-9) to the blinking digit.
 - Wait after assigning the value to above digit until the next digit to its left starts blinking.
 - Repeat the same procedure to set proper values for all digits.
- 3 After complete value is entered, "0CC0" will appear on screen.
 - Press set button again, "AD0" will be displayed which signify that code is saved.
 - If set button is not pressed, "E0E" will be displayed which indicates error and value is not saved.

**Note: All digits can take values from 0-9*